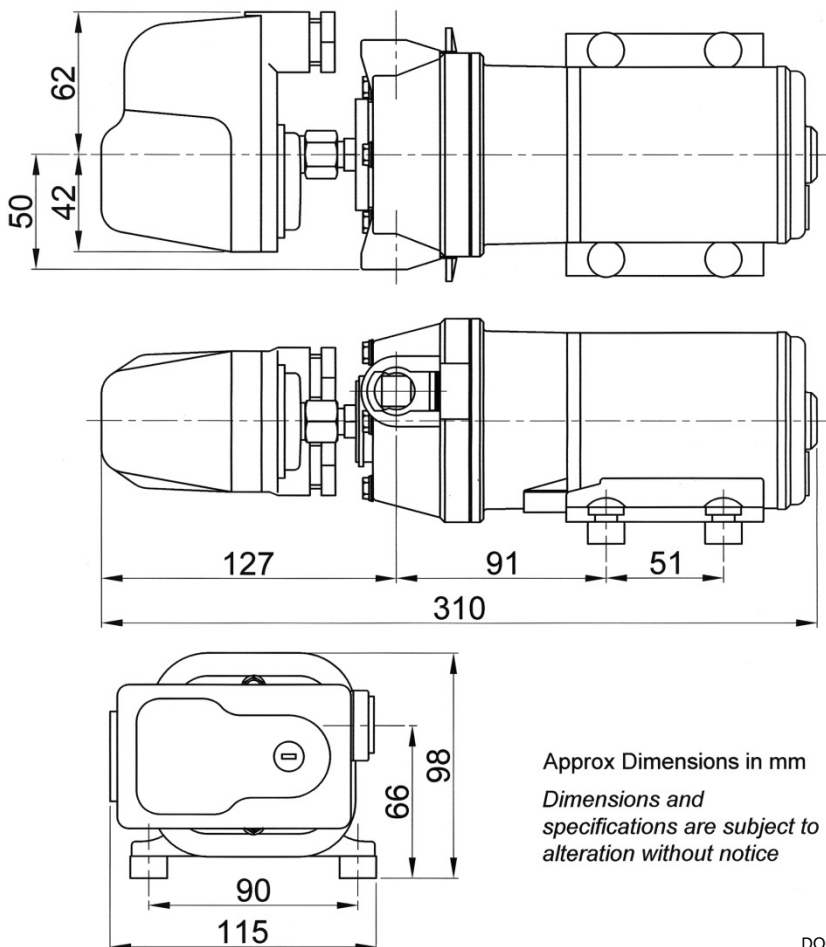


# CLEGHORN WARING JABSCO

- WEIGHT:** 2.8 kg
- OUTPUT:** up to 13 litres (2.9 gallons) per minute
- PRESSURE SWITCH:** Standard settings  
0.7 bar (10psi) cut-in  
1.4 bar (20psi) cut-out  
Adjustable up or down
- CONNECTIONS:** for 13mm (½") bore hose, or  
Hep<sub>2</sub>O push-fit connectors  
(both are supplied with the pump)
- RECOMENDED FUSE SIZE:** 12 volt: 10 amp  
24 volt: 5 amp
- MATERIALS OF CONSTRUCTION:** Body: Polypropylene  
Diaphragm & valves– Santoprene & EPDM
- SPARE PARTS:** **CW2-A** Pressure switch  
**18920-9043** Service kit  
(for other spares contact your (pump supplier))



## CW326A 12 volt CW327A 24 volt JABSCO 'PAR-MAX 3' PRESSURISED WATER PUMP with ADJUSTABLE HEAVY-DUTY PRESSURE SWITCH



- ◆ Efficient, high-flow, self-priming pump serving up to 6 outlets
- ◆ Pressure switch adjustable to your system's pressure requirement
- ◆ Designed for heavy use
- ◆ Automatic thermal overload cut-out
- ◆ Multi-diaphragm pump self-priming to 1.5m vertical lift, can dry run without damage